

QFP

QUAD FLAT  
PACKAGE

Applicable IC/QFP•TQFP

## OPEN TOP TYPE SOCKETS

### ORDERING PROCEDURE

OTQ - { } - { } - { }  
Socket Series Pin Count Pitch Design NO.

### SPECIFICATIONS

Contact resistance: Initial 100m $\Omega$  (At 10mA)  
Maximum voltage: AC700V RMS (for 1 minute)  
\* Below 0.5mm Pitch  
AC500V RMS (for 1 minute)  
Insulation resistance: 1,000M $\Omega$  or higher (At DC 500V)  
Rated current: 1A  
Operating temperature range: -60°C ~ +150°C  
Terminal strength against pulling: 0.5kg (1 minute)  
Insertion: Min. 10,000 times (Mechanical)

Ketronix



- \* Better airflow.
- \* Vertical actuation is ideal for automation.
- \* Zero-insertion force.
- \* Live bug.

### MATERIAL

Body: PEI, PES  
Contact: BeCu, Au plating (Ni-base)

[www.ketronix.com](http://www.ketronix.com)

## APPLICABLE IC DIMENSIONS & SOCKET DIMENSIONS

### ONE POINT CONTACT (TQFP•SQFP)

Unit: mm (in)

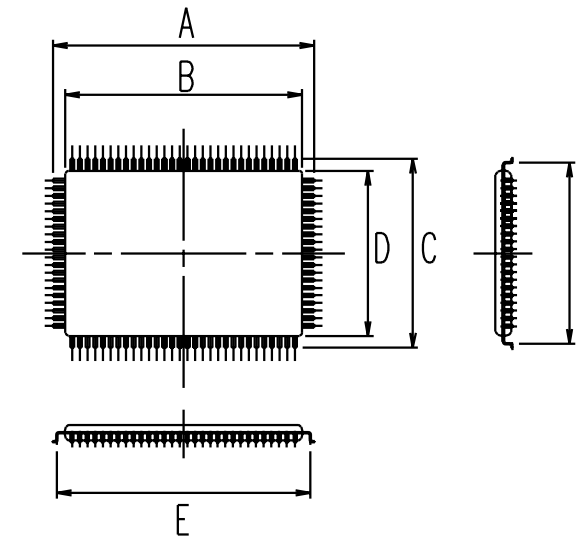
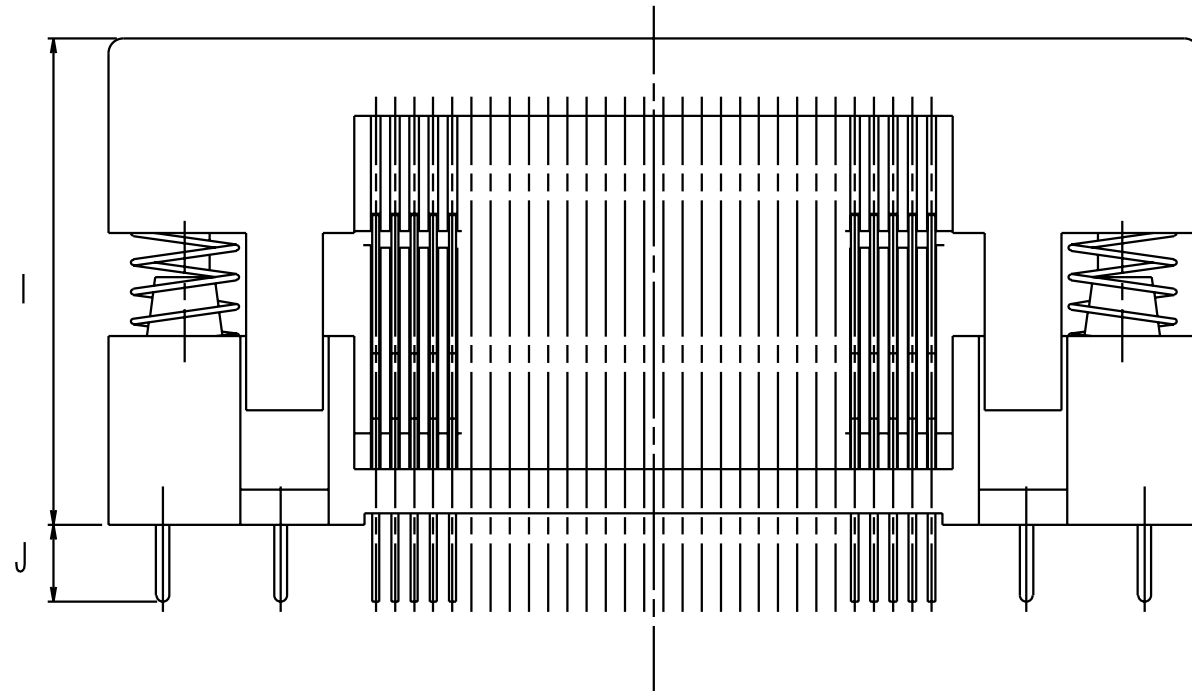
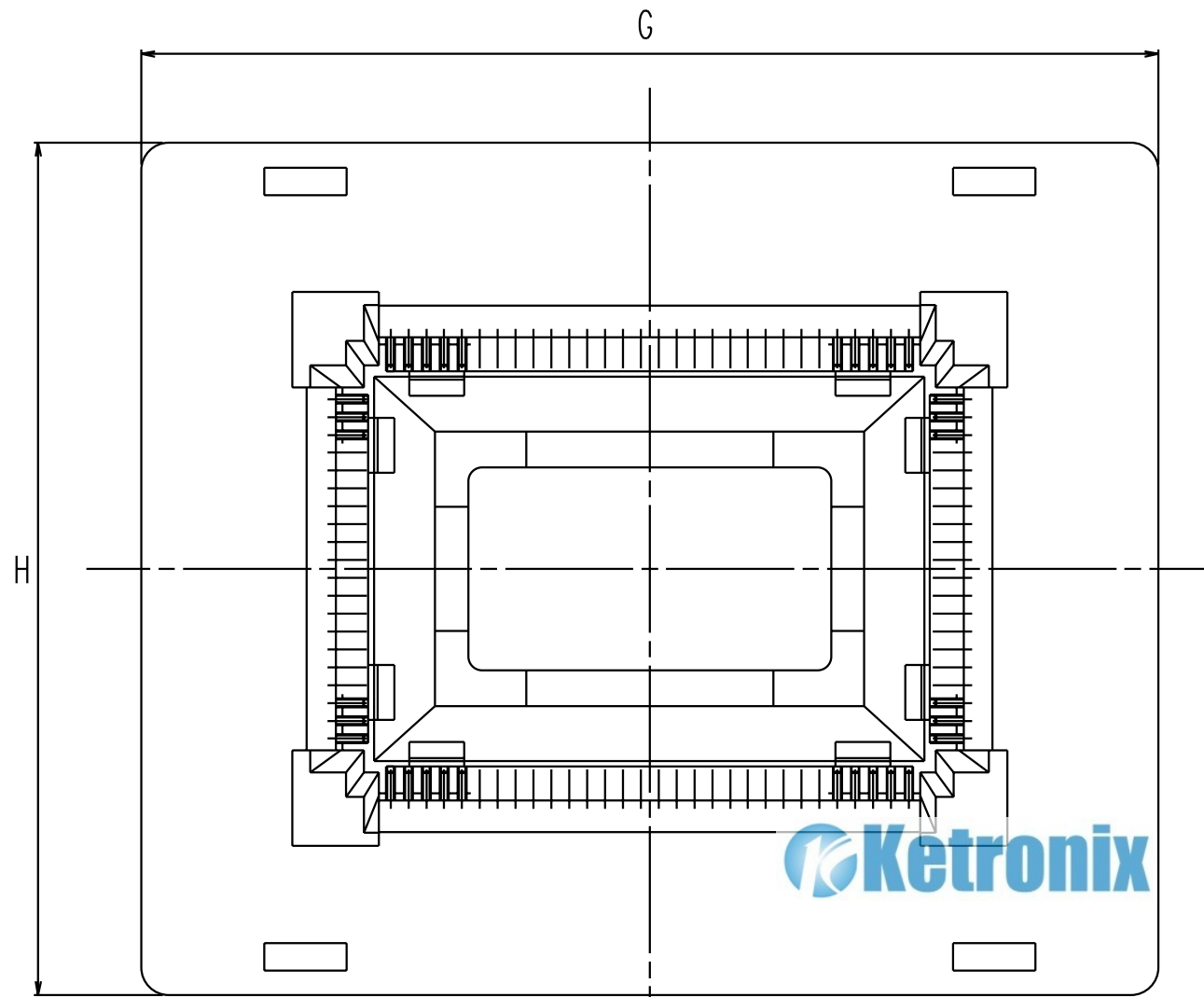
PART NO.	PIN COUNT	PITCH	ACTUATION FORCE	APPLICABLE IC DIMENSIONS (REF.)						OUTSIDE DIMENSIONS (REF.)				REMARKS
				A	B	C	D	E	F	G	H	I	J	
OTQ-48-0.5-01	48	0.5 (19.6mil)	max 1.2kg	9±0.1 (0.354)	7±0.1 (0.275)	9±0.1 (0.354)	7±0.1 (0.275)	8±0.1 (0.314)	8±0.1 (0.314)	24 (0.944)	24 (0.944)	16 (0.629)	2.8 (0.110)	SQFP/ TQFP
OTQ-64-0.5-01	64	0.5 (19.6mil)	max 1.5kg	12±0.1 (0.472)	10±0.1 (0.393)	12±0.1 (0.472)	10±0.1 (0.393)	11±0.1 (0.433)	11±0.1 (0.433)	27 (1.062)	27 (1.062)	16 (0.629)	2.8 (0.110)	SQFP/ TQFP
OTQ-80-0.5-02	80	0.5 (19.6mil)	max 2.0kg	14±0.1 (0.551)	12±0.05 (0.472)	14±0.1 (0.551)	12±0.05 (0.472)	13±0.1 (0.511)	13±0.1 (0.511)	31 (1.220)	31 (1.220)	16 (0.629)	2.8 (0.110)	SQFP/ TQFP
OTQ-100-0.5-01	100	0.5 (19.6mil)	max 2.5kg	16±0.1 (0.629)	14±0.05 (0.551)	16±0.1 (0.629)	14±0.05 (0.551)	15±0.1 (0.590)	15±0.1 (0.590)	31 (1.220)	31 (1.220)	16 (0.629)	2.8 (0.110)	SQFP/ TQFP
OTQ-100-0.5-09	100	0.5 (19.6mil)	max 2.5kg	16 (0.629)	14 (0.551)	16 (0.629)	14 (0.551)	15 (0.590)	15 (0.590)	31 (1.220)	31 (1.220)	16 (0.629)	2.8 (0.110)	Lead Guide
OTQ-120-0.5-01	120	0.5 (19.6mil)	max 2.5kg	18.4±0.15 (0.724)	16±0.05 (0.629)	18.4±0.15 (0.724)	16±0.05 (0.629)	max 17.3 (0.681)	max 17.3 (0.681)	33.4 (1.314)	33.4 (1.314)	16 (0.629)	2.8 (0.110)	
OTQ-128-0.5-01	128	0.5 (19.6mil)	max 5.0kg	22±0.15 (0.866)	20 (0.887)	16±0.15 (0.629)	14 (0.551)			47 (1.850)	47 (1.850)	22 (0.866)	3.5 (0.137)	
OTQ-128-0.5-02	128	0.5 (19.6mil)	max 5.0kg	23.2±0.1 (0.913)	20 (0.887)	17.2±0.1 (0.677)	14 (0.551)			47.9 (1.885)	47.9 (1.885)	22 (0.866)	3.5 (0.137)	
OTQ-128-0.5-03	128	0.5 (19.6mil)	max 5.0kg	23.2 (0.913)	20 (0.887)	17.2 (0.677)	14 (0.551)	22.25 (0.875)	22.25 (0.875)	47.9 (1.885)	47.9 (1.885)	22 (0.866)	3.5 (0.137)	
OTQ-144-0.5-01	144	0.5 (19.6mil)	max 3.0kg	22.0±0.15 (0.866)	20±0.1 (0.787)	22.0±0.15 (0.866)	20±0.1 (0.787)			47 (1.850)	47 (1.850)	22 (0.866)	3.5 (0.137)	SQFP/ TQFP
OTQ-176-0.5-02	176	0.5 (19.6mil)	max 6.5kg	26±0.05 (1.023)	24±0.1 (0.944)	26±0.05 (1.023)	24±0.1 (0.944)	25±0.1 (0.984)	25±0.1 (0.984)	51 (2.007)	51 (2.007)	22 (0.866)	3.5 (0.137)	

Unit: mm (in)

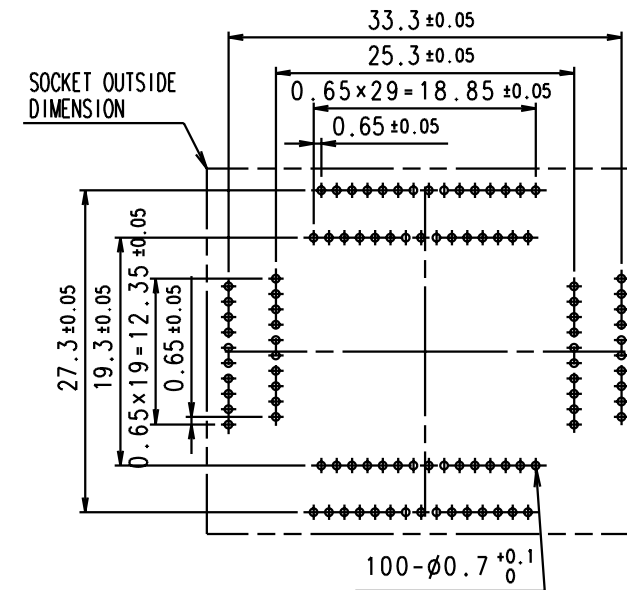
PART NO.	PIN COUNT	PITCH	ACTUATION FORCE	APPLICABLE IC DIMENSIONS (REF.)						OUTSIDE DIMENSIONS (REF.)				REMARKS
				A	B	C	D	E	F	G	H	I	J	
OTQ-208-0.5-01	208	0.5 (19.6mil)	max 8.0kg	30.6±0.15 (1.204)	28±0.1 (1.102)	30.6±0.15 (1.204)	28±0.1 (1.102)			55 (2.165)	55 (2.165)	22 (0.866)	3.5 (0.137)	SQFP/ TQFP
OTQ-208-0.5-03	208	0.5 (19.6mil)	max 8.0kg	30.6±0.15 (1.204)	max 28.5 (1.122)	30.6±0.15 (1.204)	max 28.5 (1.122)			55 (2.165)	55 (2.165)	22 (0.866)	3.5 (0.137)	Mild Guide



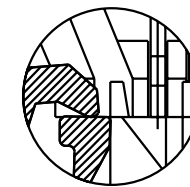
[www.ketronix.com](http://www.ketronix.com)



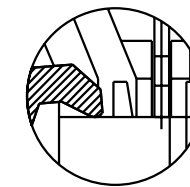
OTQ-100-0.65  
(REFERENCE ONLY)



OTQ-100-0.65  
(REFERENCE ONLY)



PINCH CONTACT  
(TWO POINT CONTACT)  
(REFERENCE ONLY)



ONE POINT CONTACT  
(REFERENCE ONLY)