



## APPLICABLE IC DIMENSIONS & SOCKET DIMENSIONS

### PINCH CONTACT (QFP-LQFP)

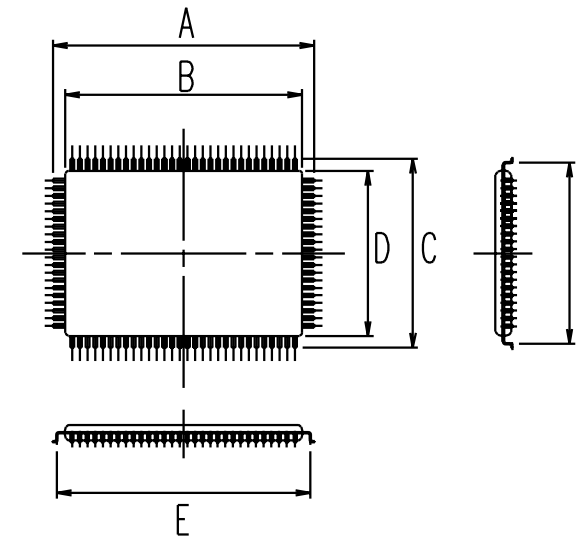
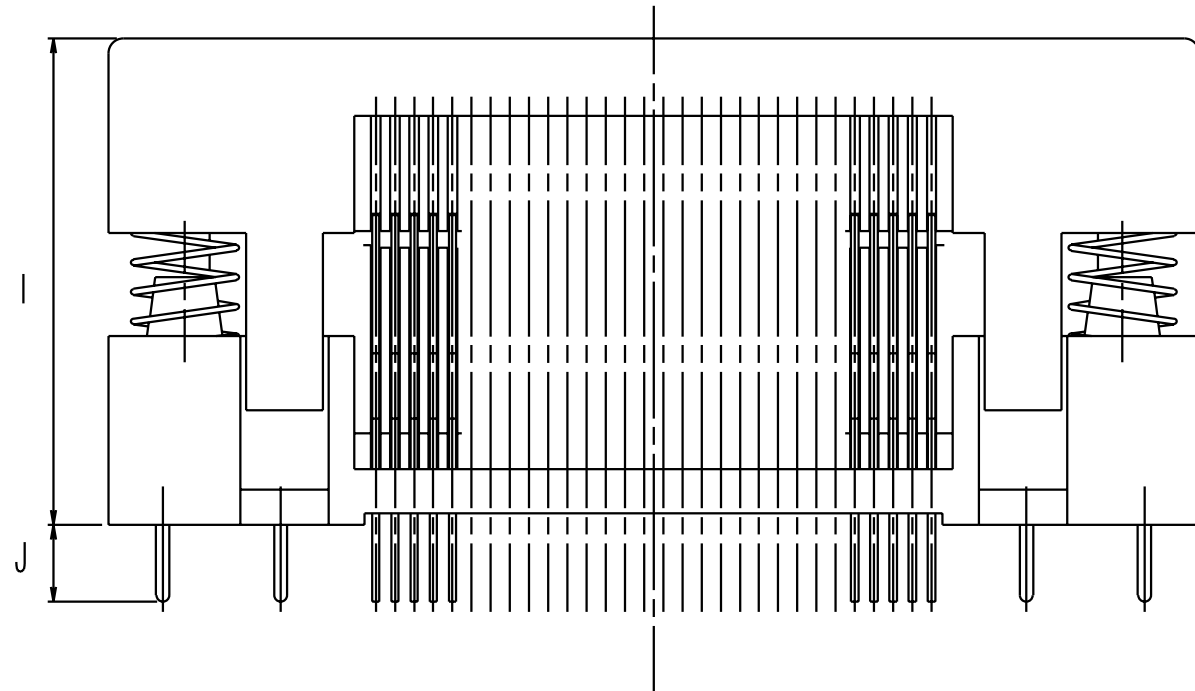
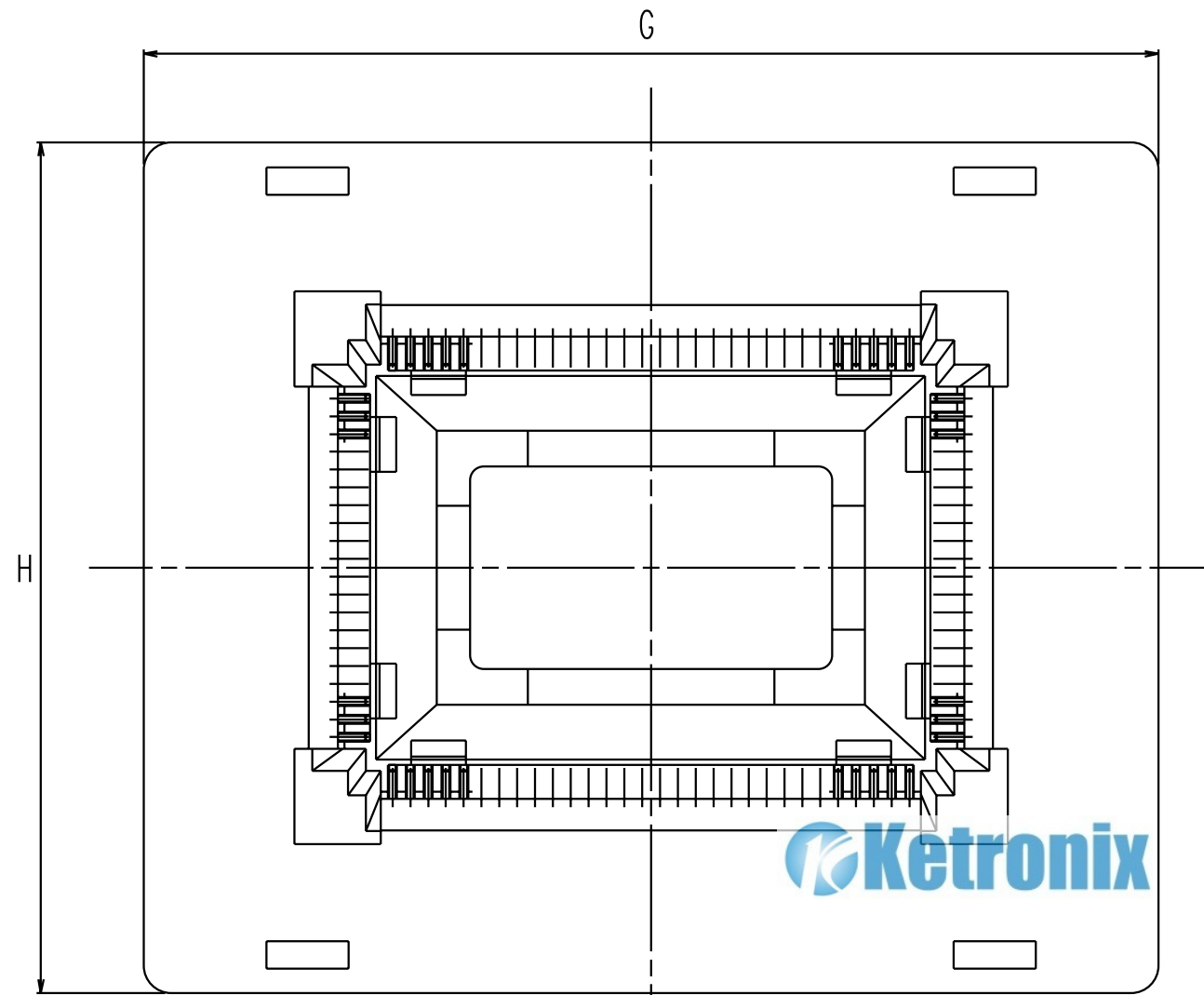
Unit: mm

PART NO.	PIN COUNT	PITCH	ACTUATION FORCE	APPLICABLE IC DIMENSIONS (REF.)						OUTSIDE DIMENSIONS (REF.)				REMARKS
				A	B	C	D	E	F	G	H	I	J	
OTQ-64-0.5-03	64	0.5 (19.6mil)	max 1.3kg	12±0.15 (0.412)	max10.5 (0.413)	12±0.15 (0.412)	max10.5 (0.413)	11±0.1 (0.433)	11±0.1 (0.433)	26.2 (1.030)	26.2 (1.030)	16.5 (0.650)	3 (0.118)	
OTQ-64-0.8-01	64	0.8 (32mil)	max 4.0kg	17.2±0.2 (0.677)	14±0.2 (0.551)	17.2±0.2 (0.677)	14±0.2 (0.551)	max16.6 (0.653)	max16.6 (0.653)	34 (1.338)	34 (1.338)	16 (0.629)	2.5 (0.098)	
OTQ-64-0.8-02	64	0.8 (32mil)	max 4.0kg	16.4±0.2 (0.645)	14±0.2 (0.551)	16.4±0.2 (0.645)	14±0.2 (0.551)	max15.6 (0.614)	max15.6 (0.614)	34 (1.338)	34 (1.338)	16 (0.629)	2.5 (0.098)	
OTQ-64-1.0-01	64	1.0 (39mil)	max 3.0kg	25.4±0.2 (1.000)	20±0.2 (0.787)	19.4±0.2 (0.763)	14±0.2 (0.559)	max24 (0.944)	max18 (0.708)	42 (1.653)	36 (1.417)	17 (0.669)	2.5 (0.098)	
OTQ-64-1.0-02	64	1.0 (39mil)	max 3.0kg	24.6±0.2 (0.968)	20±0.2 (0.787)	18.6±0.2 (0.732)	14±0.2 (0.559)	max23 (0.905)	max17 (0.669)	42 (1.653)	36 (1.417)	17 (0.669)	2.5 (0.098)	
OTQ-64-1.0-03	64	1.0 (39mil)	max 3.0kg	23.9±0.2 (0.940)	20±0.2 (0.787)	17.9±0.2 (0.704)	14±0.2 (0.559)	max22.6 (0.889)	max16.6 (0.653)	42 (1.653)	36 (1.417)	17 (0.669)	2.5 (0.098)	
OTQ-80-0.65-07	80	0.65 (26mil)	max 4.0kg	17.2±0.2 (0.677)	14±0.2 (0.551)	17.2±0.2 (0.677)	14±0.2 (0.559)			33.4 (1.315)	33.4 (1.315)	17.5 (0.689)	3 (0.118)	Lead Guide
OTQ-80-0.8-01	80	0.8 (32mil)	max 4.0kg	25.4±0.2 (1.000)	20±0.2 (0.787)	19.4±0.2 (0.763)	14±0.2 (0.559)	max24 (0.944)	max18 (0.708)	42 (1.653)	36 (1.417)	17 (0.669)	2.5 (0.098)	
OTQ-80-0.8-02	80	0.8 (32mil)	max 4.0kg	24.6±0.2 (0.968)	20±0.2 (0.787)	18.6±0.2 (0.732)	14±0.2 (0.559)	max23 (0.905)	max17 (0.669)	42 (1.653)	36 (1.417)	17 (0.669)	2.5 (0.098)	
OTQ-80-0.8-03	80	0.8 (32mil)	max 4.0kg	23.9±0.2 (0.940)	20±0.2 (0.787)	17.9±0.2 (0.704)	14±0.2 (0.559)	max22.6 (0.889)	max16.6 (0.653)	42 (1.653)	36 (1.417)	17 (0.669)	2.5 (0.098)	
OTQ-100-0.65-03	100	0.65 (26mil)	max 4.5kg	23.9±0.2 (0.940)	20±0.2 (0.787)	17.9±0.2 (0.704)	14±0.2 (0.559)	max22.6 (0.889)	max16.6 (0.653)	42 (1.653)	36 (1.417)	17 (0.669)	2.5 (0.098)	

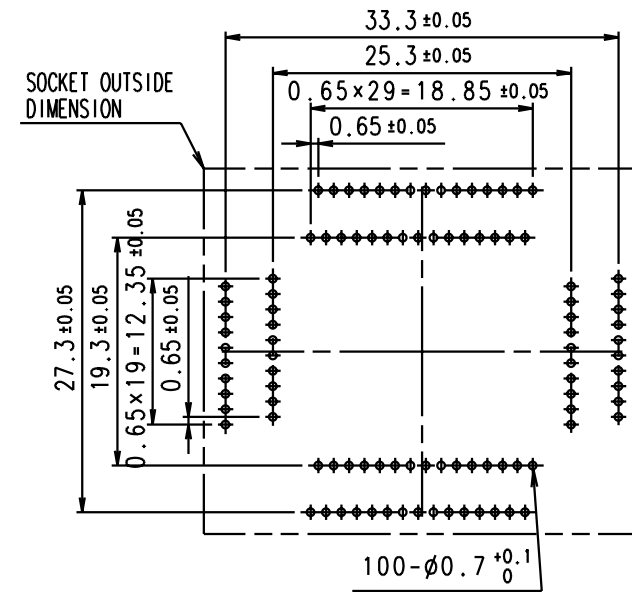
PART NO.	PIN COUNT	PITCH	ACTUATION FORCE	APPLICABLE IC DIMENSIONS (REF.)						OUTSIDE DIMENSIONS (REF.)				REMARKS
				A	B	C	D	E	F	G	H	I	J	
OTQ-100-0.65-16	120	0.65	max	23.2	20	17.2	14	21	15	38	31	16.5	2.6	
		(26mil)	3.3kg	(0.913)	(0.787)	(0.677)	(0.551)	(0.827)	(0.614)	(1.496)	(1.268)	(0.650)	(0.102)	
OTQ-100-0.65-23	100	0.65 (26mil)	max 3.2kg	22 (0.866)	20 (0.787)	16 (0.630)	14 (0.551)	21 (0.827)	15 (0.614)	37 1.457	31 (1.220)	16 (0.650)	2.6 (0.102)	



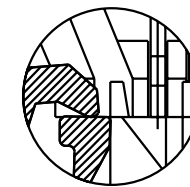
[www.ketronix.com](http://www.ketronix.com)



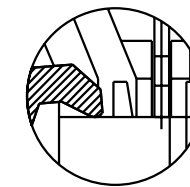
OTQ-100-0.65  
(REFERENCE ONLY)



OTQ-100-0.65  
(REFERENCE ONLY)



PINCH CONTACT  
(TWO POINT CONTACT)  
(REFERENCE ONLY)



ONE POINT CONTACT  
(REFERENCE ONLY)