

QFN

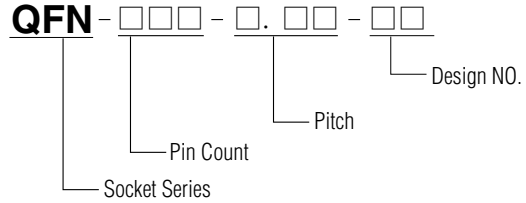
QUAD FINE PITCH NO LEAD



Type B: "B" stands for "Burn-in"

Type BT: "T" stands for "Thermal" (socket with Ground Pin type).

ORDERING PROCEDURE



SPECIFICATIONS

- Contact resistance: Initial 50mΩ or less (At :10mA)
- Maximum voltage: 0.5mm Pitch & 0.65mm Pitch
AC500V RMS (for 1minute)
- 0.4mm Pitch
AC300V RMS (for 1minute)
- Insulation resistance: 1,000mΩ or higher (At DC 500V)
- Rated current: 1A
- Operating temperature range: -65°C ~ +150°C
- Terminal strength against pulling: 0.5kg:(1min)
- Insertion: Min.:10,000 cycle (Mechanical)

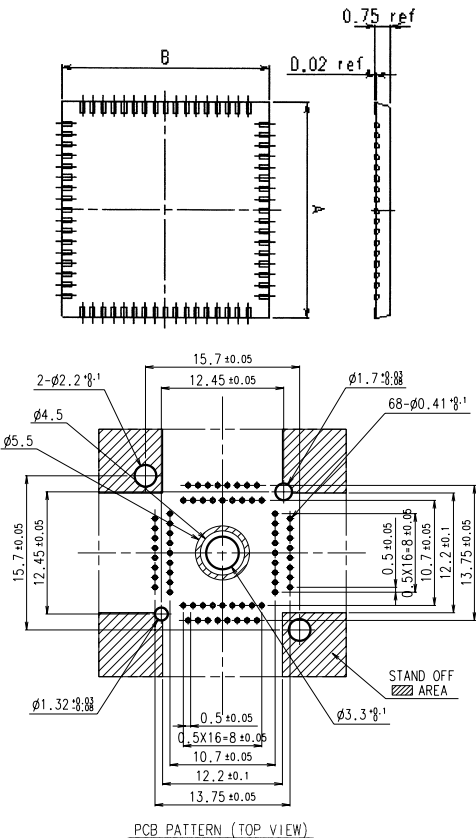
MATERIAL

Body: PEI, PES

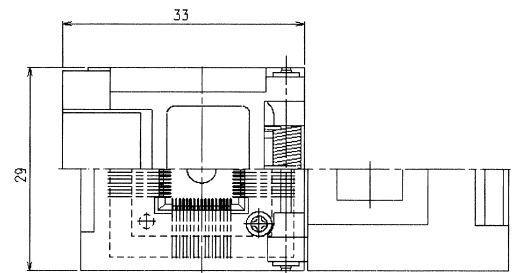
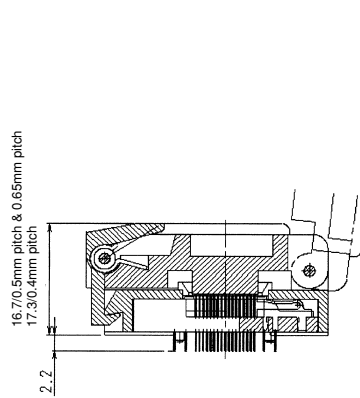
Contact: BeCu, Au plating (Ni-base)



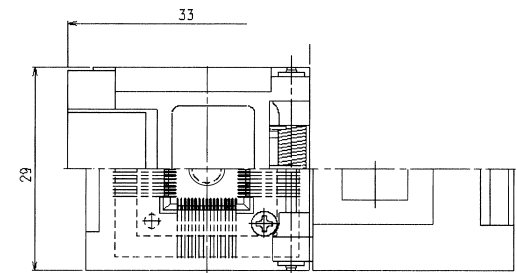
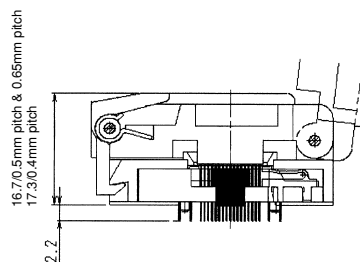
APPLICABLE IC DIMENSIONS & SOCKET DIMENSIONS



QFN-68BT-0.5-01



Type B



Type BT
(Type B with Ground Pin)

Application IC/QFN B/BT TYPE SOCKET

QFN Socket Line up 0.5mm Pitch Series

Unit: mm

PART NO.	PIN COUNT	A	B	Type	REMARKS
QFN-8(24)B-0.5-02	8	3	3	B	
QFN-8(24)BT-0.5-01				BT	
QFN-10(20)B-0.5-02	10 (5×2 Side)	3	3	B	
QFN-10(20)BT-0.5-02				BT	
QFN-12(20)B-0.5-02	12	3	3	B	
QFN-12(20)BT-0.5-02				BT	
QFN-12(20)B-0.5- * *	12	4	4	B	
QFN-12(20)BT-0.5-01				BT	
QFN-12(24)B-0.5- * *	12 (6×2 Side)	4	4	B	
QFN-12(24)BT-0.5-01				BT	
QFN-16(24)B-0.5-02	16	3	3	B	
QFN-16(24)BT-0.5-01				BT	
QFN-16(24)B-0.5-01	16	4	4	B	
QFN-16(24)BT-0.5- * *				BT	
QFN-16(40)B-0.5-02	16	5	5	B	
QFN-16(40)BT-0.5-02				BT	
QFN-20B-0.5-01	20	4	4	B	
QFN-20BT-0.5-01				BT	
QFN-20(36)B-0.5-01	20	5	5	B	
QFN-20(36)BT-0.5-01				BT	
QFN-24B-0.5-01	24	4	4	B	
QFN-24BT-0.5-01				BT	
QFN-28(36)B-0.5-02	28	5	5	B	
QFN-28(36)BT-0.5-02				BT	
QFN-32(40)B-0.5-02	32	5	5	B	
QFN-32(40)BT-0.5-02				BT	
QFN-32(40)B-0.5-01	32	6	6	B	
QFN-32(40)BT-0.5-01				BT	
QFN-36B-0.5-01	36	5	6	B	
QFN-36BT-0.5-01				BT	
QFN-40B-0.5-01	40	6	6	B	
QFN-40BT-0.5-01				BT	
QFN-44(52)B-0.5-02	44	7	7	B	
QFN-44(52)BT-0.5-02				BT	
QFN-44(68)B-0.5-01	44	9	9	B	
QFN-44(68)BT-0.5-01				BT	
QFN-48(56)B-0.5-01	48	7	7	B	
QFN-48(56)BT-0.5-01				BT	
QFN-52B-0.5- * *	52	8	8	B	
QFN-52BT-0.5-01				BT	
QFN-56B-0.5-01	56	8	8	B	
QFN-56BT-0.5-01				BT	
QFN-64B-0.5-01	64	9	9	B	
QFN-64BT-0.5-01				BT	
QFN-64B-0.5- * *	64	10	10	B	
QFN-64BT-0.5-02				BT	
QFN-68B-0.5-01	68	10	10	B	
QFN-68BT-0.5-01				BT	

QFN Socket Line up 0.65mm Pitch Series

Unit: mm

PART NO.	PIN COUNT	A	B	Type	REMARKS
QFN-8(16)B-0.65-02	8	3	3	B	Package with No Flange
QFN-8(16)BT-0.65-02				BT	
QFN-8(24)B-0.65-01	8	5	5	B	Package with No Flange
QFN-8(24)BT-0.65-01				BT	
QFN-12B-0.65-01	12	3	3	B	Package with No Flange
QFN-12BT-0.65-01				BT	
QFN-16B-0.65-01	16	4	4	B	Package with No Flange
QFN-16BT-0.65-01				BT	
QFN-20(28)B-0.65-01	20	5	5	B	Package with No Flange
QFN-20(28)BT-0.65-02				BT	
QFN-28B-0.65-01	28	6	6	B	Package with No Flange
QFN-28BT-0.65-01				BT	
QFN-32(40)B-0.65-02	32	7	7	B	Package with No Flange
QFN-32(40)BT-0.65-01				BT	
QFN-44B-0.65-01	44	8	8	B	Package with No Flange
QFN-44BT-0.65-01				BT	
QFN-44(52)B-0.65-02	44	9	9	B	Package with No Flange
QFN-44(52)BT-0.65-01				BT	
QFN-48B-0.65- * *	48	7	7	B	Package with No Flange
QFN-48BT-0.65- * *				BT	
QFN-52B-0.65-01	52	10	10	B	Package with No Flange
QFN-52BT-0.65-01				BT	

Application IC/QFN B/BT TYPE SOCKET

QFN Socket Line up 0.4mm Pitch Series

Unit: mm

PART NO.	PIN COUNT	A	B	Type	REMARKS
QFN-16B-0.4- * *	16	3	3	B	Plan
QFN-16BT-0.4- * *				BT	
QFN-28B-0.4- * *	28	4	4	B	Plan
QFN-28BT-0.4- * *				BT	
QFN-36B-0.4- * *	36	5	5	B	Plan
QFN-36BT-0.4- * *				BT	
QFN-48B-0.4- * *	48	6	6	B	Plan
QFN-48BT-0.4- * *				BT	
QFN-56B-0.4- * *	56	7	7	B	Plan
QFN-56BT-0.4- * *				BT	
QFN-68B-0.4- * *	68	8	8	B	Plan
QFN-68BT-0.4- * *				BT	
QFN-76B-0.4- * *	76	9	9	B	Plan
QFN-76BT-0.4- * *				BT	
QFN-88B-0.4- * *	88	10	10	B	Plan
QFN-88BT-0.4- * *				BT	

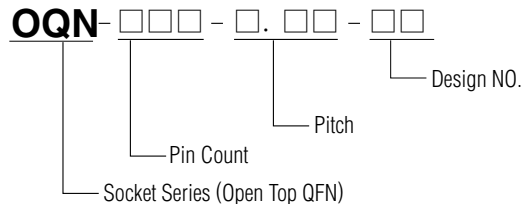


OQN

QUAD FINE PITCH NO LEAD



ORDERING PROCEDURE



SPECIFICATIONS

- Contact resistance: Initial 50mΩ or less (At :10mA)
- Maximum voltage: AC500V RMS (for 1minute)
Below 0.5mm Pitch
AC500V RMS (for 1minute)
- Insulation resistance: 1,000mΩ or higher (At DC 500V)
- Rated current: 1A
- Operating temperature range: -65°C ~ +150°C
- Terminal strength against pulling: 0.5kg(:1min)
- Insertion: Min.:10,000 cycle (Mechanical)

MATERIAL

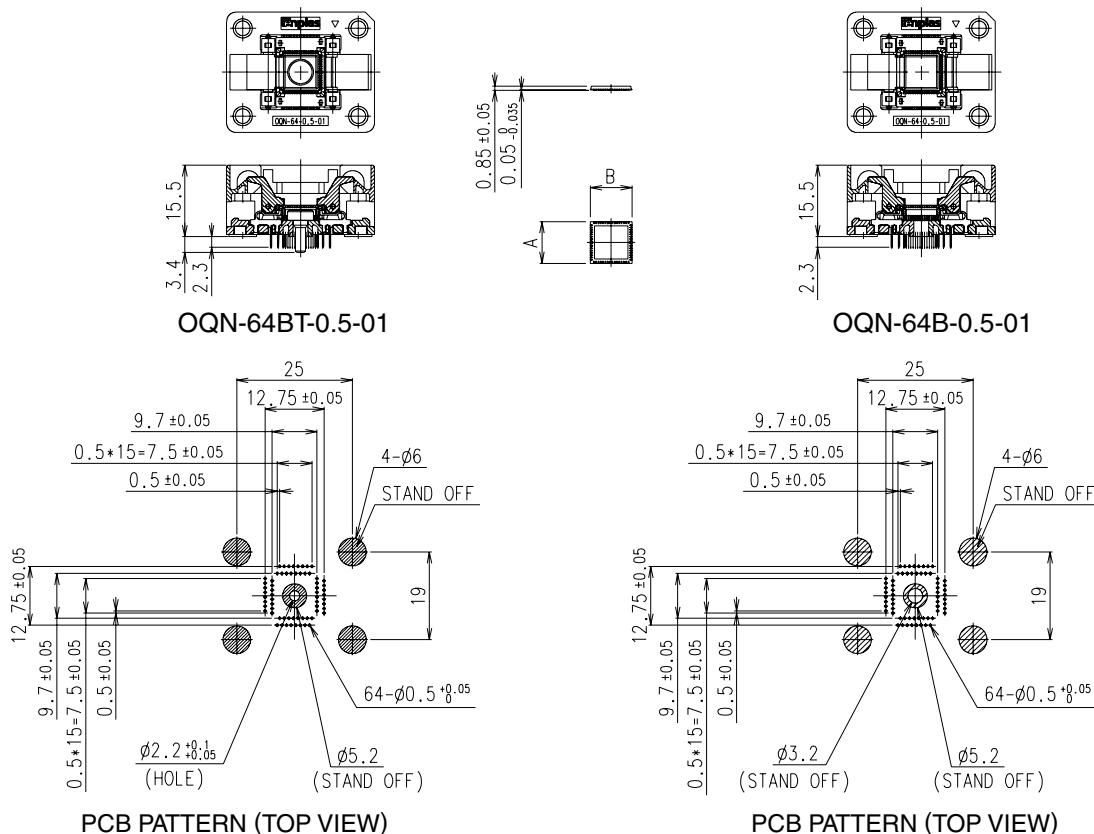
- Body: PEI, PES
- Contact: BeCu, Au plating (Ni-base)

Type B: "B" stands for "Burn-in"

Type BT: "T" stands for "Thermal" (socket with Ground Pin type).



APPLICABLE IC DIMENSIONS & SOCKET DIMENSIONS



Application IC/QFN B/BT TYPE SOCKET

OQN Socket Line up 0.5mm Pitch Series

Unit: mm

PART NO.	PIN COUNT	A	B	Type	REMARKS
OQN-16(32)B-0.5-01	16	5	5	B	
OQN-16(32)BT-0.5-01				BT	
OQN-32B-0.5-01	32	5	5	B	
OQN-32BT-0.5-01				BT	
OQN-36B-0.5-01	36	6	6	B	
OQN-36BT-0.5-01				BT	
OQN-44B-0.5-01	44	7	7	B	
OQN-44BT-0.5-01				BT	
OQN-48B-0.5-01	48	7	7	B	PKG Thickness 0.85
OQN-48BT-0.5-01				BT	
OQN-48B-0.5-02	48	7	7	B	PKG Thickness 1.25
OQN-48BT-0.5-02				BT	
OQN-48(64)B-0.5-01	48	9	9	B	
OQN-48(64)BT-0.5-01				BT	
OQN-56B-0.5- * *	56	8	8	B	Plan
OQN-56BT-0.5- * *				BT	
OQN-64B-0.5-01	64	9	9	B	
OQN-64BT-0.5-01				BT	
OQN-64B-0.5-02	64	9	9	B	
OQN-64BT-0.5-02				BT	

OQN Socket Line up 0.65mm Pitch Series

Unit: mm

PART NO.	PIN COUNT	A	B	Type	REMARKS
OQN-32B-0.65-01	32	7	7	B	
OQN-32BT-0.65-01				BT	
OQN-44B-0.65-01	44	9	9	B	
OQN-44BT-0.65-01				BT	
OQN-48B-0.65-01	48	9	9	B	
OQN-48BT-0.65-01				BT	
OQN-48B-0.65-02	48	9	9	B	GP 3.47mm
OQN-48BT-0.65-02				BT	
OQN-48B-0.65-03	48	9	9	B	
OQN-48BT-0.65-03				BT	

Type B: Without Ground Pin
Type BT: With Ground Pin